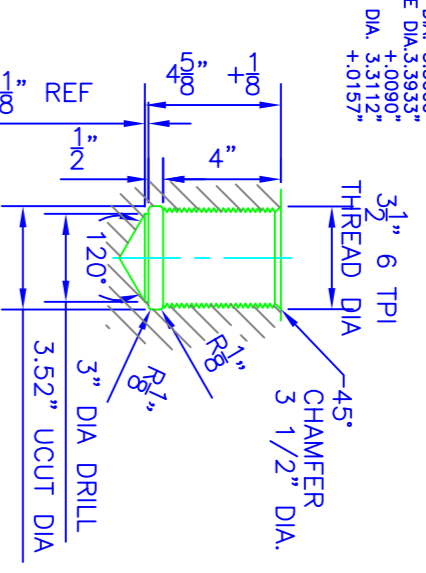
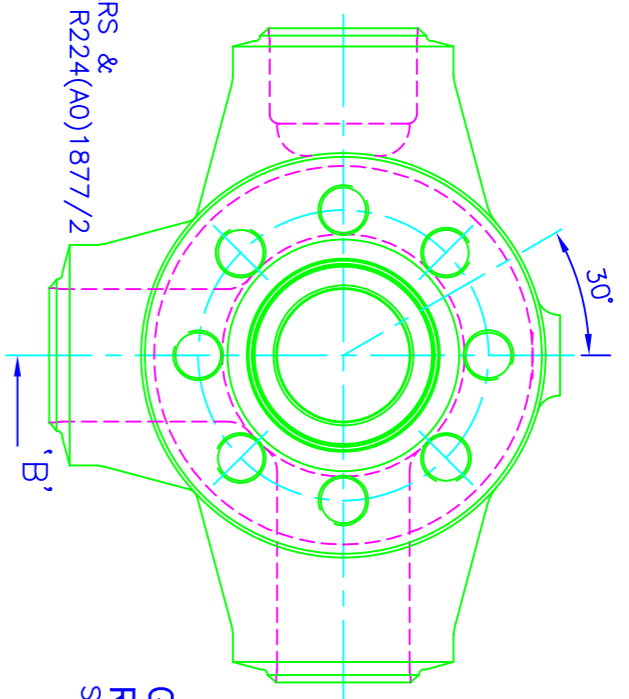


COMPARISON OF SURFACE ROUGHNESS VALUES

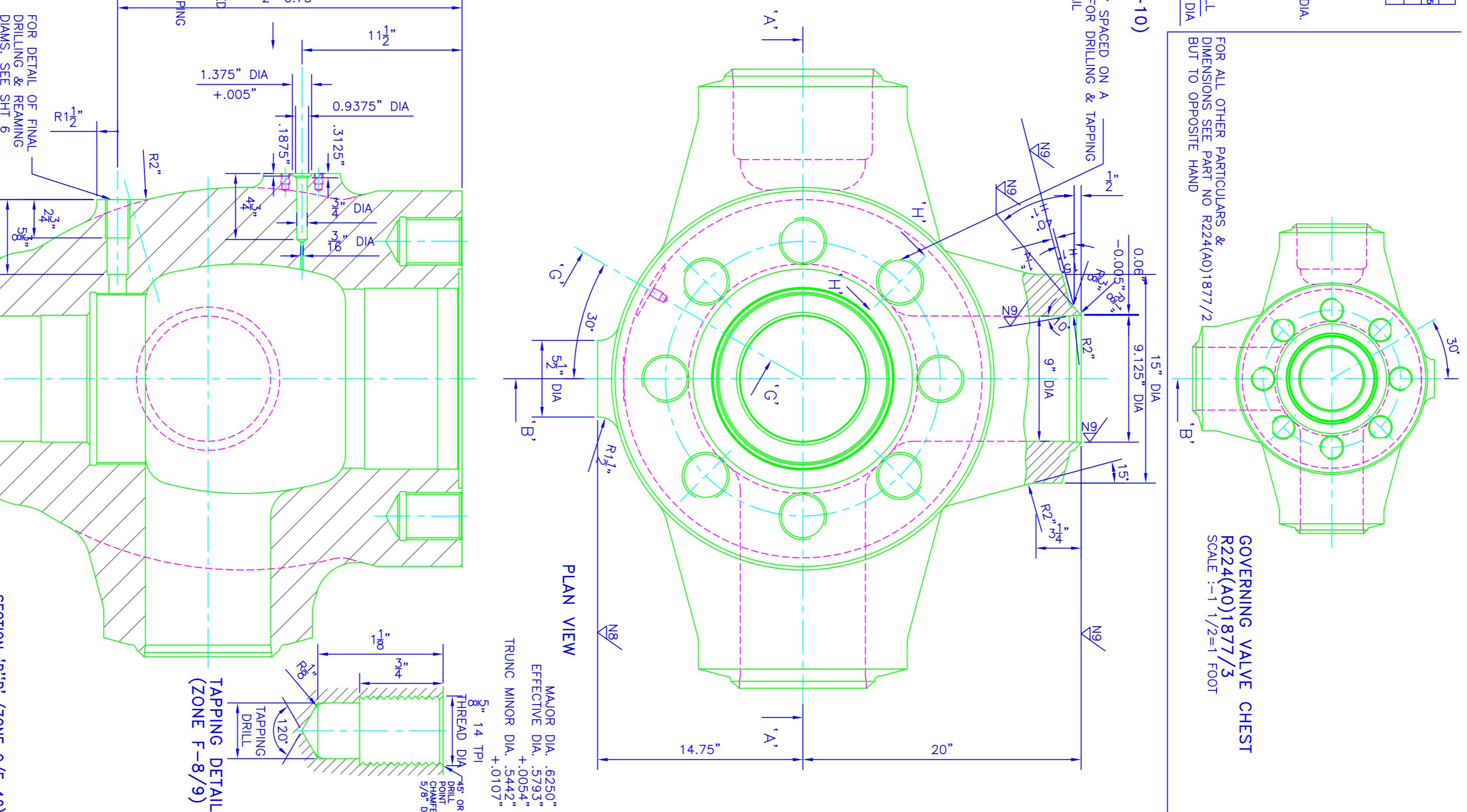
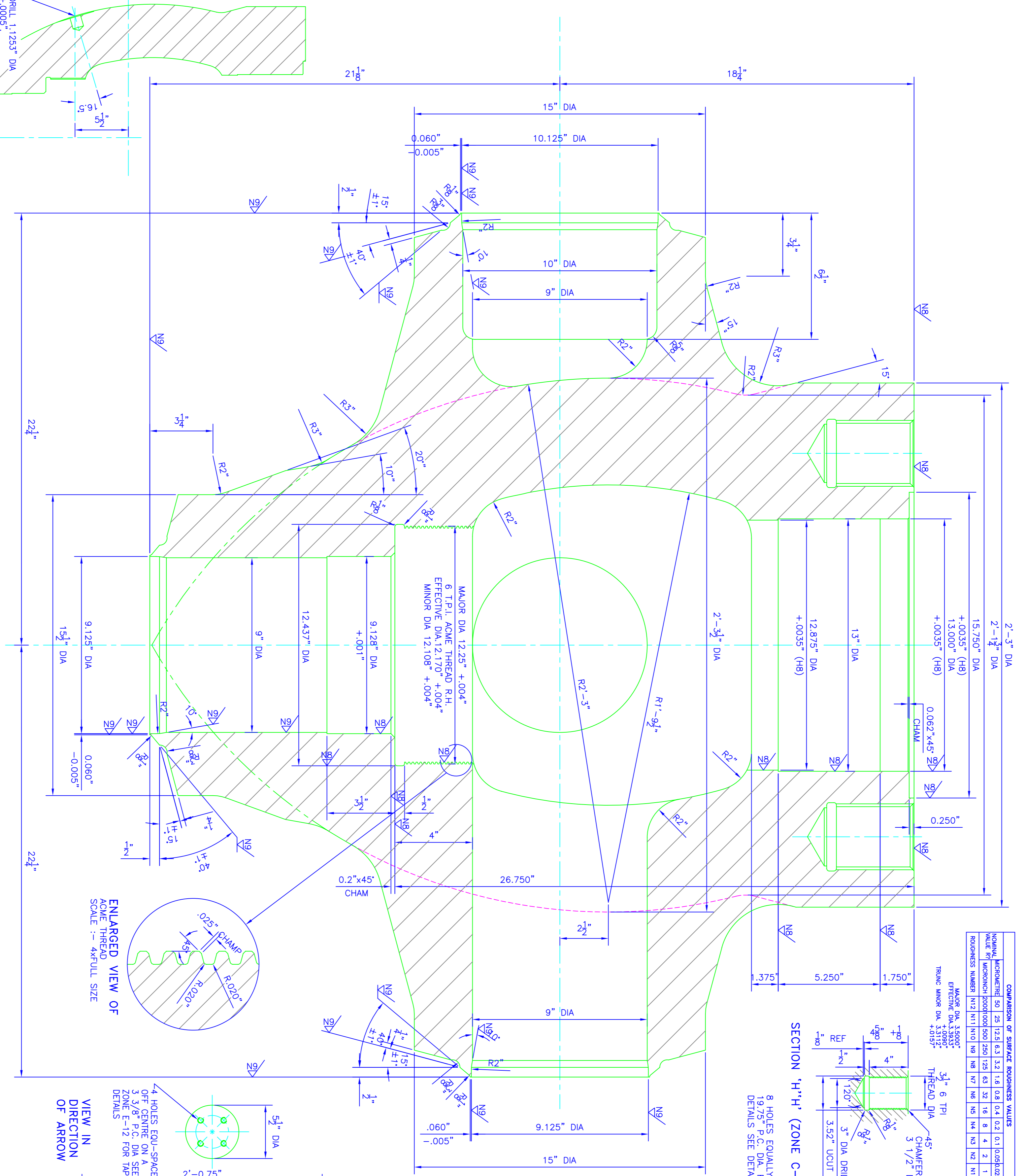
| MANUFACTURING | SO 25 | 12.5 | 6.3 | 3.2 | 1.6 | 0.8 | 0.4 | 0.2 | 0.1 | 0.05 | 0.025 |
|-----------------|---------|---------|---------|---------|---------|---------|---------|---------|---------|---------|---------|
| MAJOR DIA | 3.5000" | 3.5000" | 3.5000" | 3.5000" | 3.5000" | 3.5000" | 3.5000" | 3.5000" | 3.5000" | 3.5000" | 3.5000" |
| MINOR DIA | 3.5000" | 3.5000" | 3.5000" | 3.5000" | 3.5000" | 3.5000" | 3.5000" | 3.5000" | 3.5000" | 3.5000" | 3.5000" |
| TRUNC MINOR DIA | 3.5112" | 3.5112" | 3.5112" | 3.5112" | 3.5112" | 3.5112" | 3.5112" | 3.5112" | 3.5112" | 3.5112" | 3.5112" |



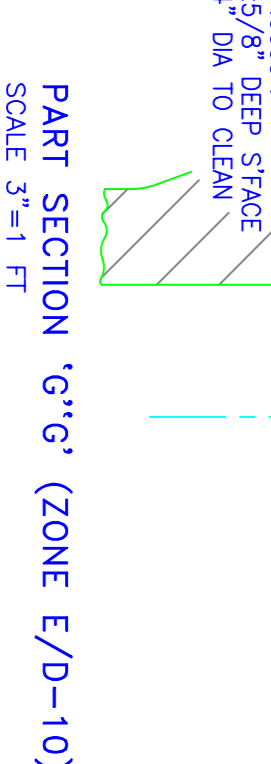
SECTION 'H'H' (ZONE C-10)
 8 HOLES EQUALLY SPACED ON A 19.75" P.C. DIA. FOR DRILLING & TAPPING
 DETAILS SEE DETAIL



GOVERNING VALVE CHEST
 R224(A0)1877/3
 SCALE 1/2"=1' FOOT



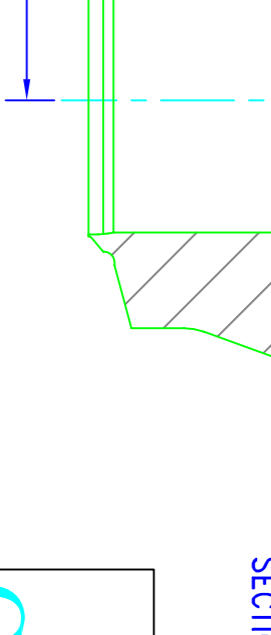
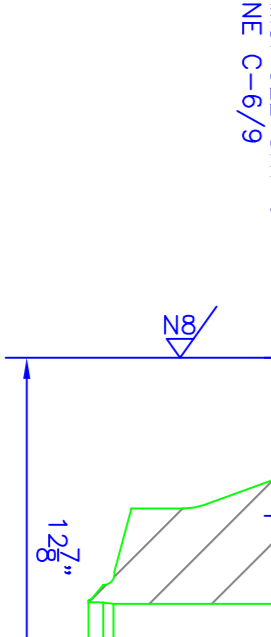
PLAN VIEW
 MAJOR DIA. 6.250"
 EFFECTIVE DIA. 5.793"
 TRUNC MINOR DIA. 5.442"
 +.0107"



PART SECTION 'G'G' (ZONE E/D-10)
 SCALE 3/4"=1' FT

GOVERNING VALVE CHEST
 R224(A0)1877/2
 SCALE 1/2"=1' FOOT

APPROX CAST WEIGHT = 5000 LBS.



TAPPING DETAIL (ZONE F-8/9)
 MAJOR DIA. 6.250"
 EFFECTIVE DIA. 5.793"
 TRUNC MINOR DIA. 5.442"
 +.0107"

SECTION 'B'B' (ZONE C/E-10)