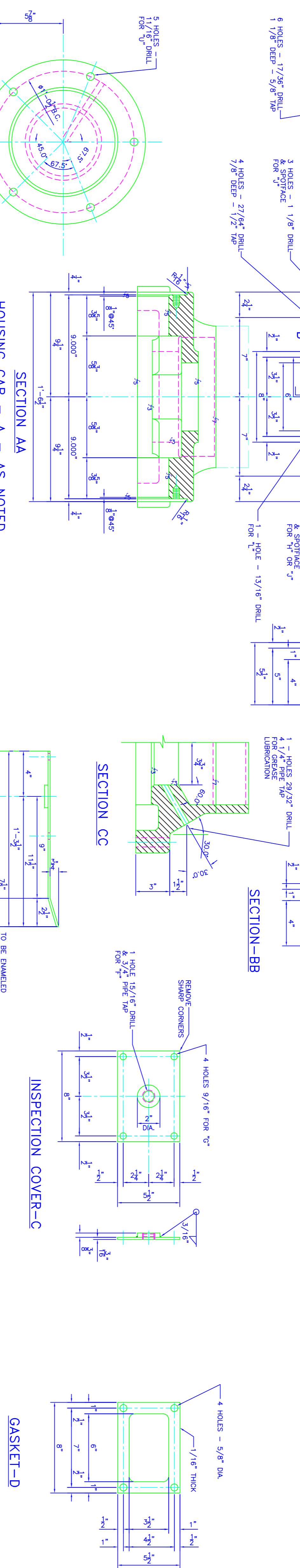


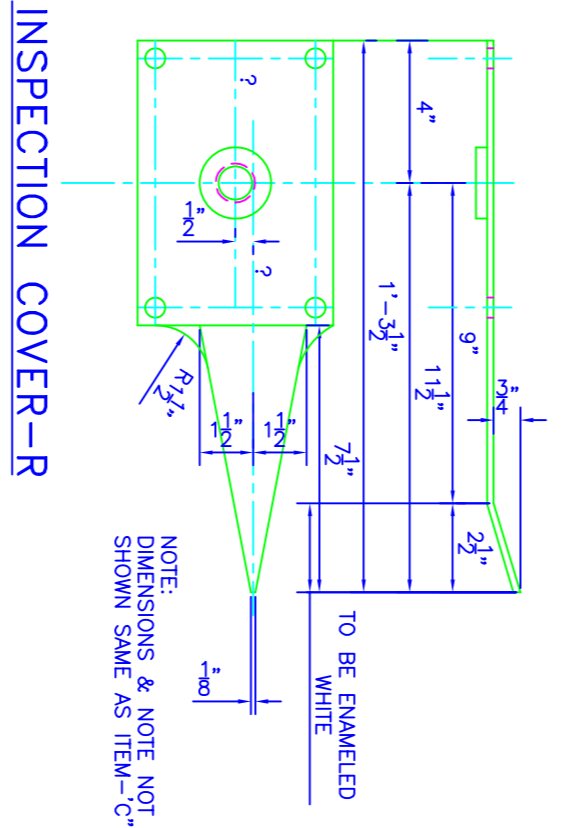
SCREW-DOWN COVER B
PATT. NO - 36064



SECTION AA
HOUSING CAP - A - AS NOTED
PATT. NO 36058

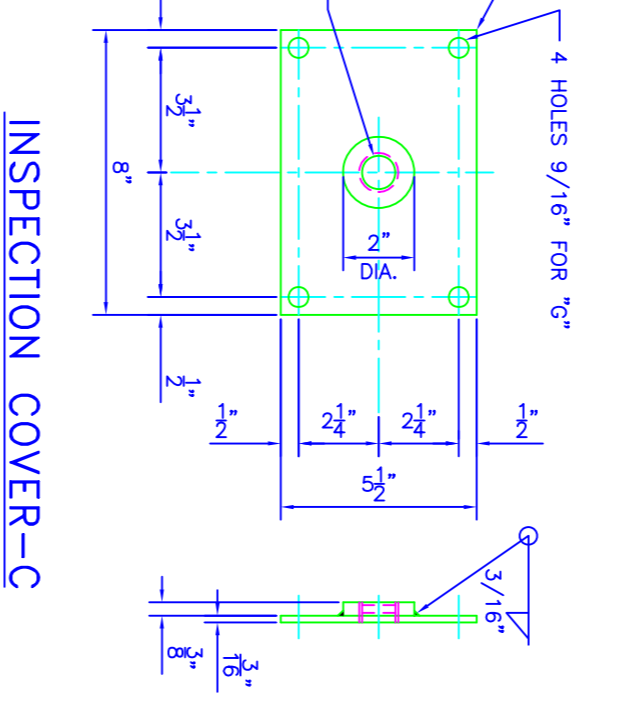
HOUSING CAP - M - AS NOTED & SHOWN IN DOT & DASH LINES
PATT. NO. 36058-A

HOUSING CAP - N - AS NOTED & SHOWN IN DOT
DASH LINES
PATT. NO 36058-B

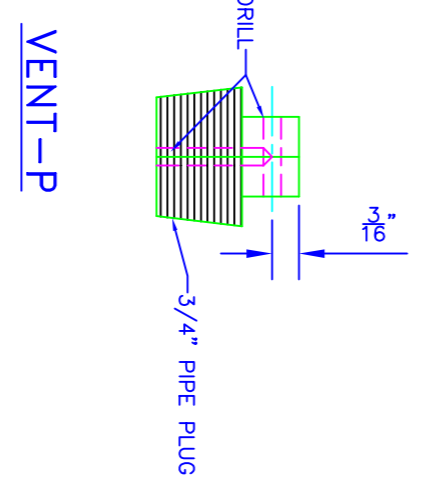


INSPECTION COVER-R

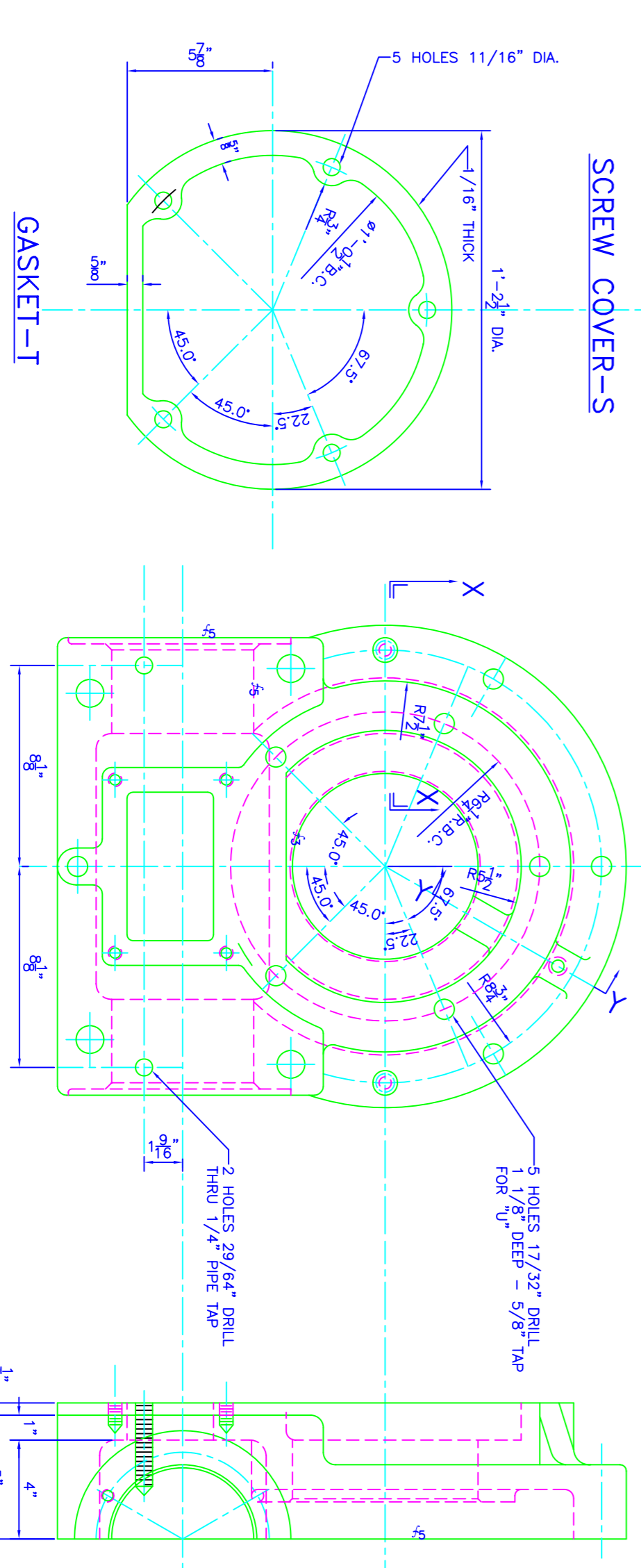
NOTE: DIMENSIONS & NOTE NOT SHOWN SAME AS ITEM-C
TO BE ENAMELED WHITE



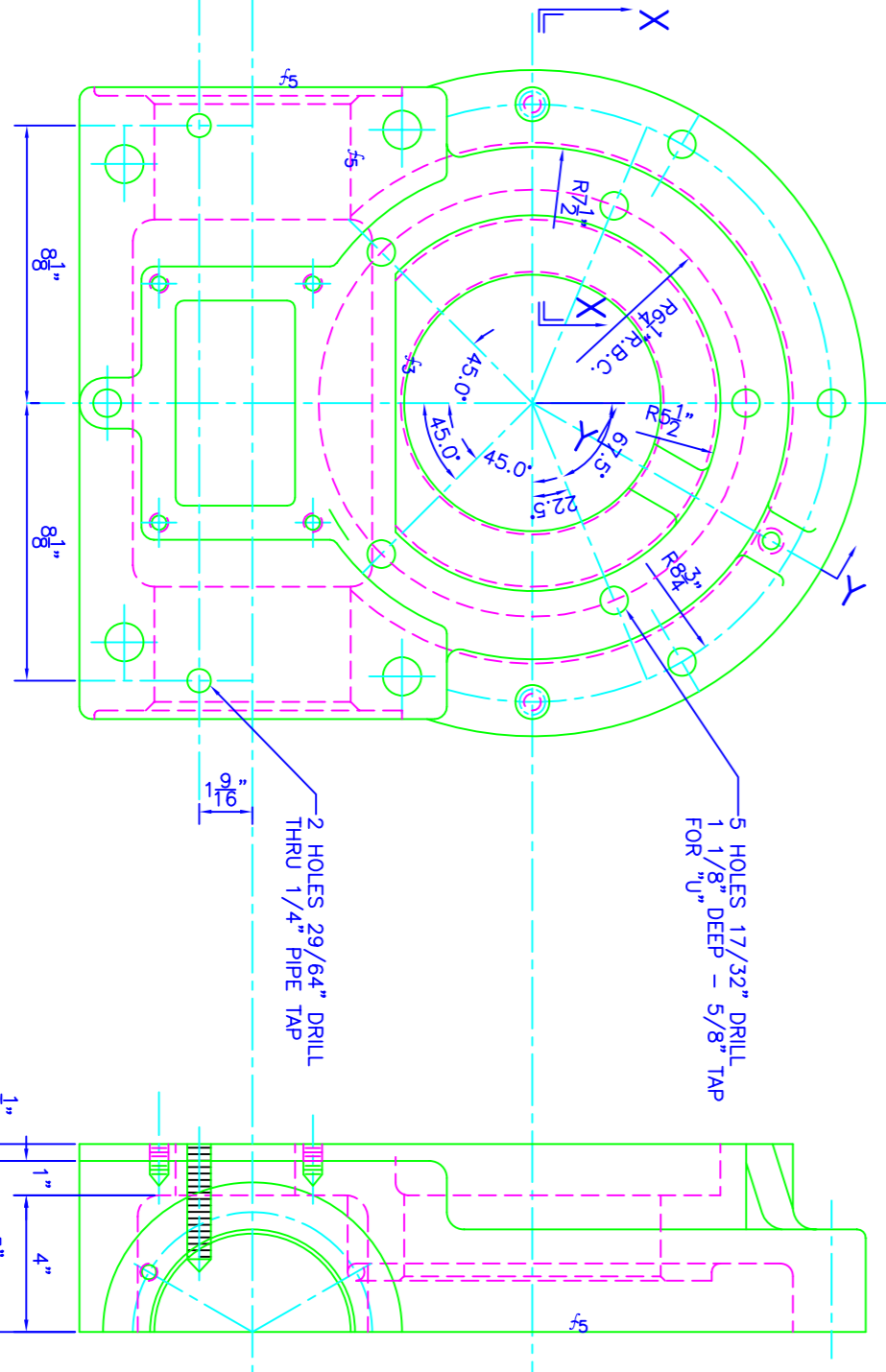
INSPECTION COVER-C



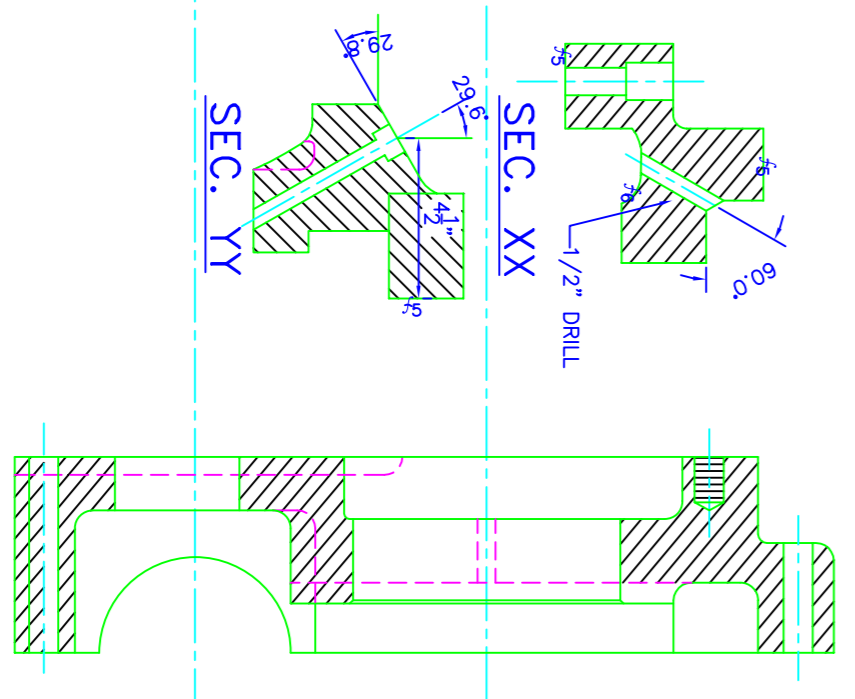
VENT-P



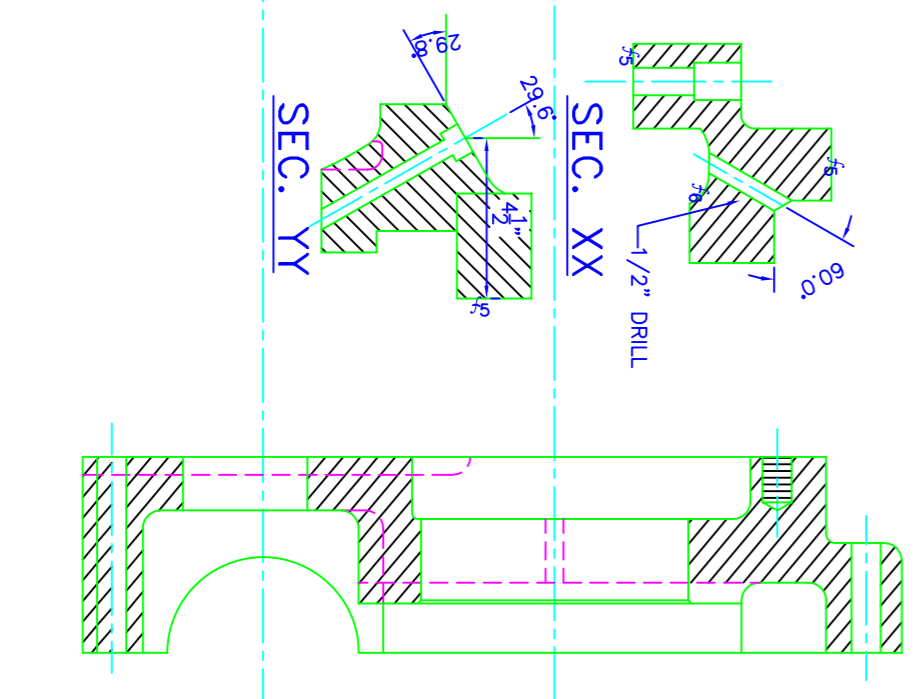
SCREW COVER-S



HOUSING CAP P - AS SHOWN NOTED
PATT. NO 36058-C



GASKET-D



GASKET-I

FOR VIEWS & DIMENS.
NOT SHOWN SAME AS ITEM-A