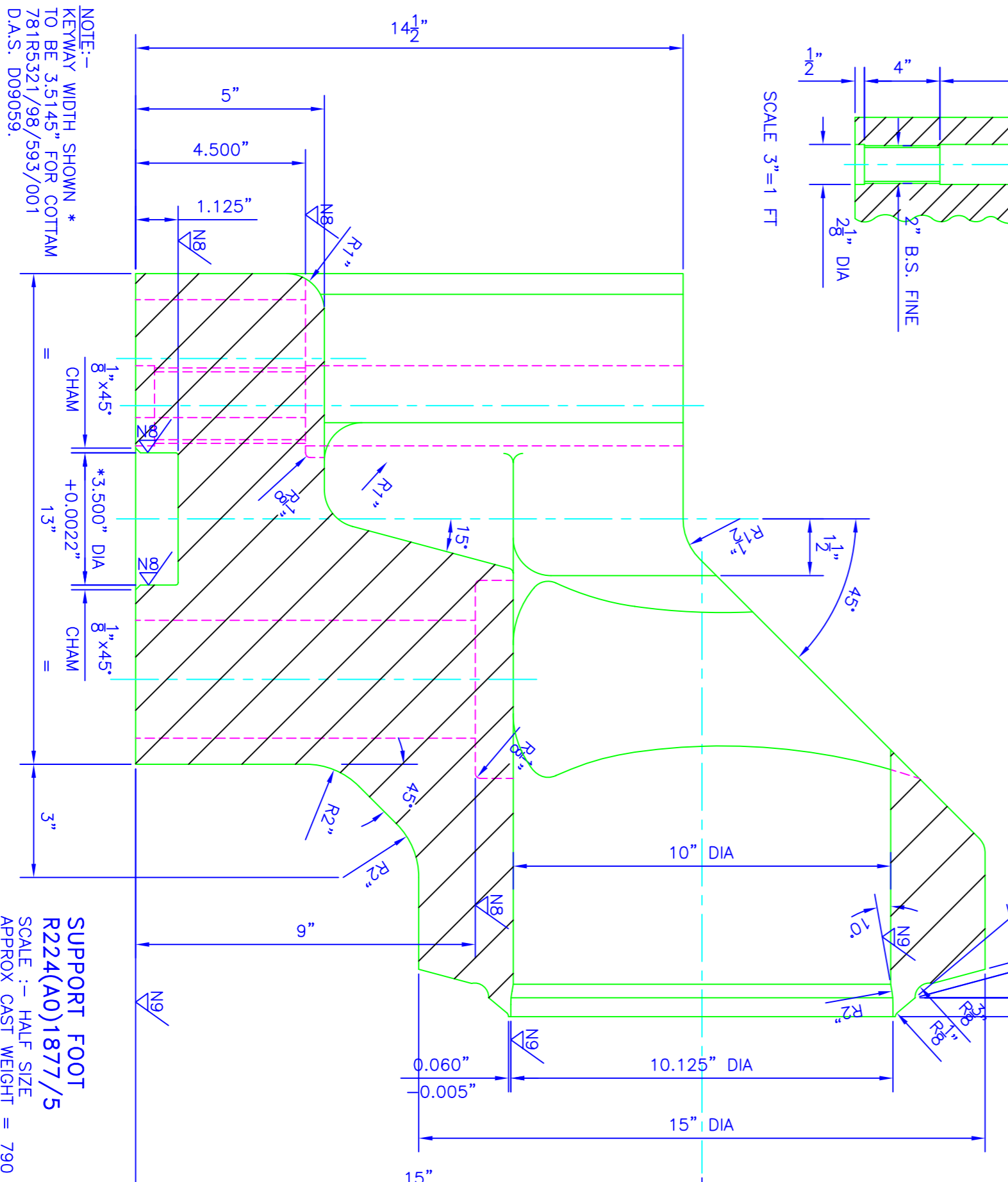
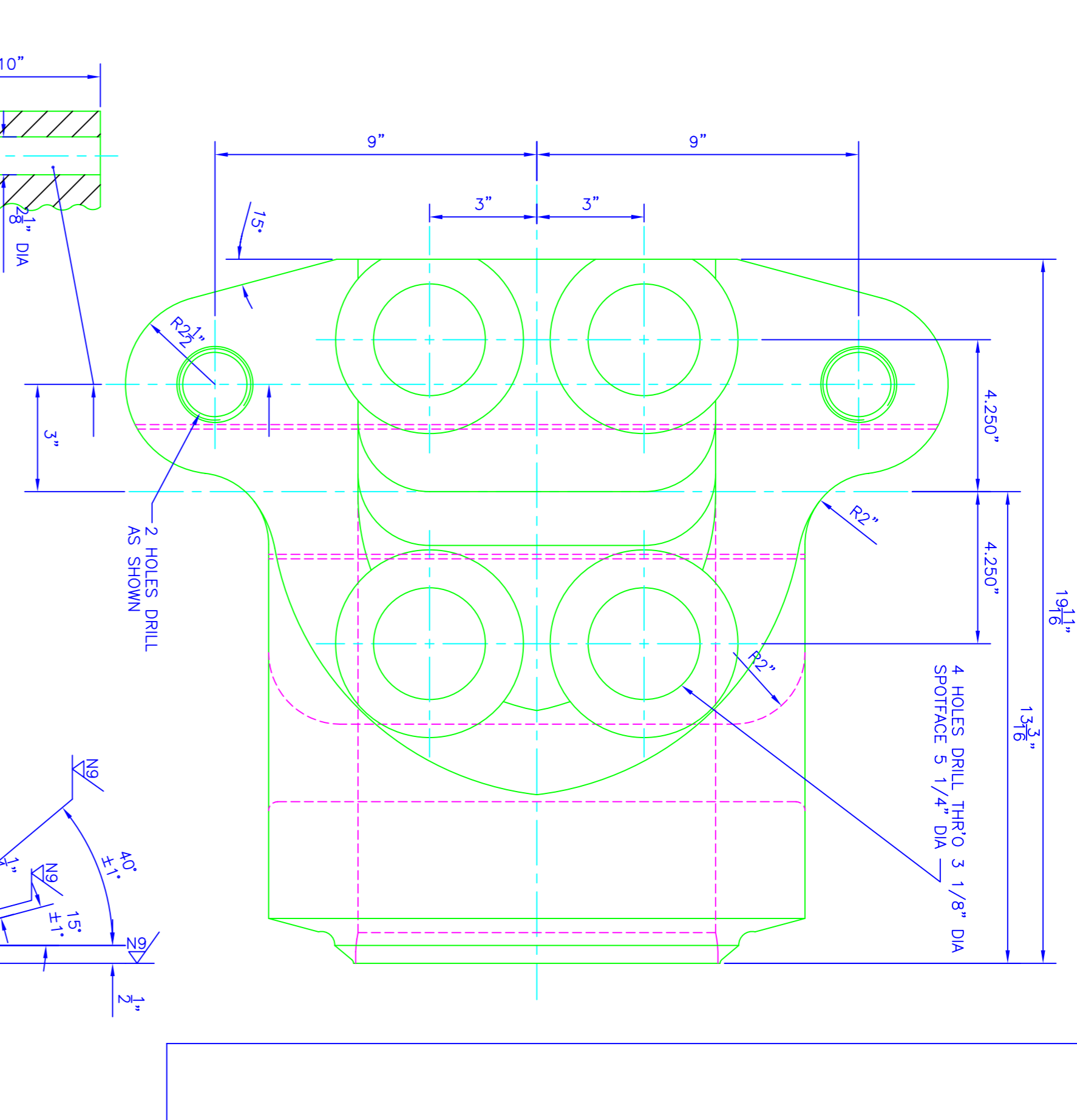
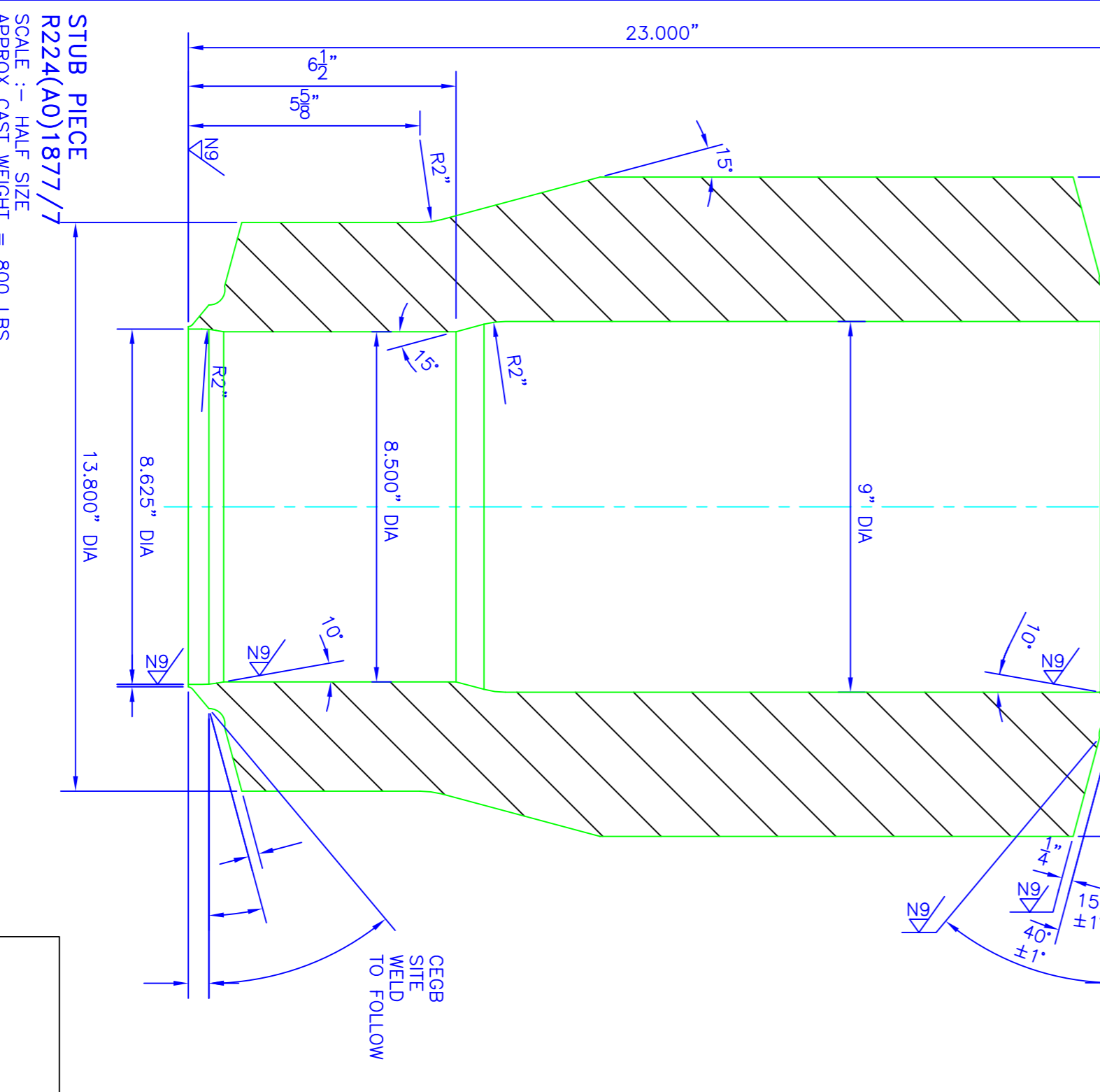
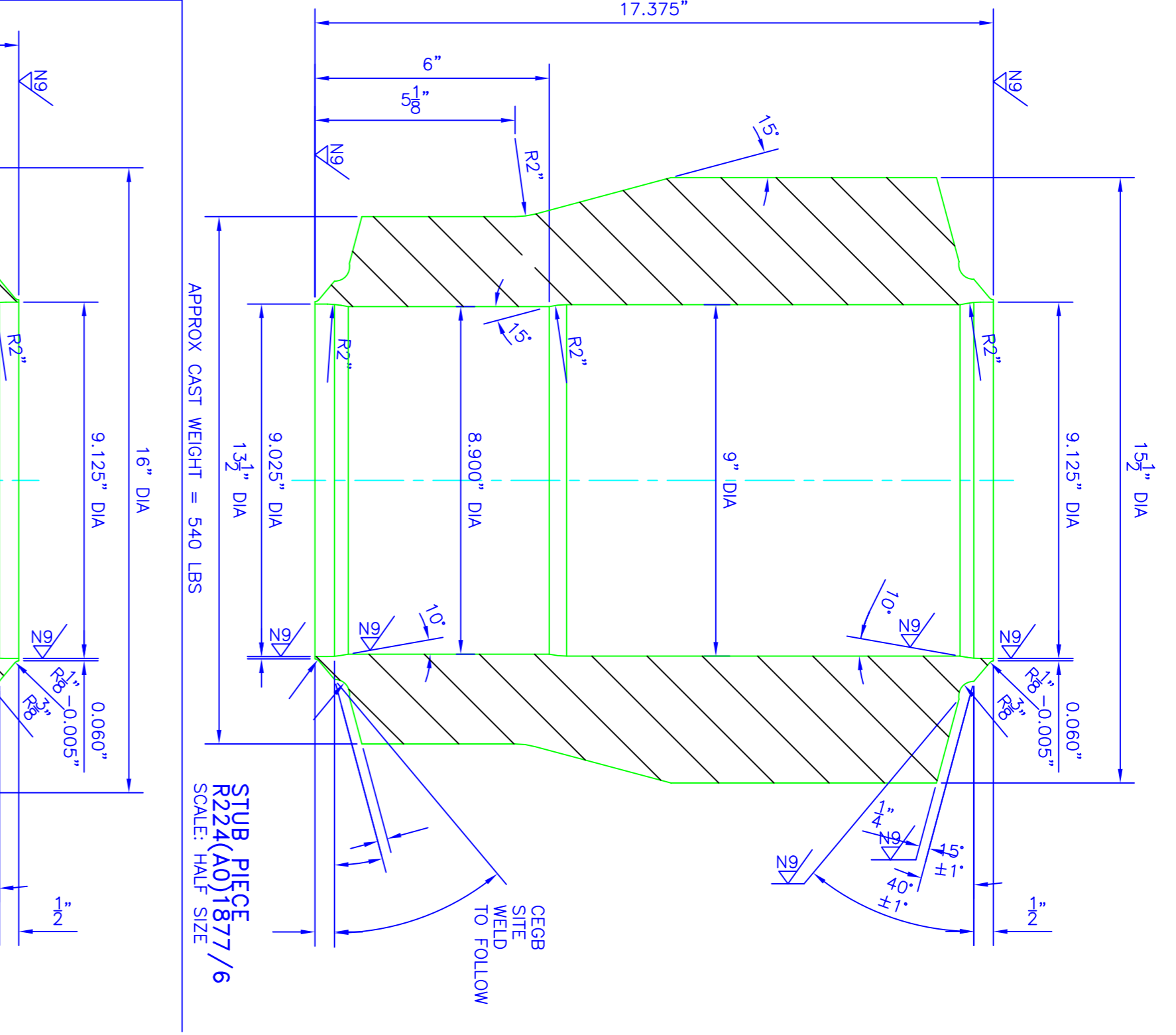


SUPPORT FOOT  
R224(A0)1877/4  
SCALE: - HALF SIZE  
APPROX CAST WEIGHT = 950 LBS



SUPPORT FOOT  
R224(A0)1877/5  
SCALE: - HALF SIZE  
APPROX CAST WEIGHT = 790 LBS



STUB PIECE  
R224(A0)1877/7  
SCALE: - HALF SIZE  
APPROX CAST WEIGHT = 800 LBS